

T5 PC+ALUMINUM TUBE

TYPE B | 2' | 4'

Indoor Lighting | Tubes



OVERVIEW

Power	2' : 7W 4' : 15W 24W
Voltage	AC 100-277V, 50/60 Hz
Power Factor	0.878
Efficacy	Up to 160.7lm/W
CCT	4000K
Color Rendering (CRI)	83
R9 (Red Value)	7
R13 (Skin Tones)	85
Beam Angle	168°
Light Distribution	Type I
Dimmable	Continuous Dimming to 10% or Below
Operating Temperature	-4°F ~ +104°F
Suitable Location	DAMP
Ingress Protection Rating (IP)	IP20
Average Life (Hours)	50,000
LED Light Source	Runlite 2835
Driver	Internal Driver/Line Voltage (UL Type B) Lamps
Housing	PC+Aluminum
Cover Material	Polycarbonate
Diffuser	Frosted Clear
Base	G5
Finish	White

Product Description

The T5 PC + Aluminum Tube Type B simplifies lighting upgrades with a design optimized for seamless installation across diverse applications, including K-12 schools and offices. Operating directly off the main switch, it eliminates the need for complex rewiring. Built with durable polycarbonate and aluminum construction, it delivers high-lumen output and a precision beam angle, ensuring bright, uniform illumination in large indoor federal projects.

Features

- Premium quality with BAA & BABAA compliance, engineered with Tier-1 domestically sourced materials to meet the 65% federal procurement mandate.
- Effortless installation with direct operation off the main switch, eliminating the need for extensive rewiring.
- Enhanced efficiency with an integrated driver for optimized energy usage and reduced maintenance costs.
- Uniform visual appeal achieved through precision manufacturing on high-speed SMT lines and automated assembly.
- Built to last in damp locations and ambient temperatures, ensuring quality, reliability, and seamless performance.

Application Areas

Offices, Schools, Hospitals, Retail Stores, Lobbies, General Areas, Residential Spaces

Warranty



Warranty Limitations: To ensure eligibility, the product must be installed by a certified electrician in accordance with the guidelines outlined in the installation sheet. The fixture is designed for operation within ambient temperatures of -4°F to +104°F. The 10-year warranty remains valid only if all operating conditions strictly adhere to the parameters specified in the installation sheet. Any installation errors or deviations from the provided instructions will void warranty coverage.

Additional coverage options may be available for purchase—please contact IKIO representatives for more information. Warranty claims must be initiated by submitting a completed RMA form. For full warranty details and terms, refer to the comprehensive [warranty document](#).

T5 PC+ALUMINUM TUBE | TYPE B | Indoor Lighting

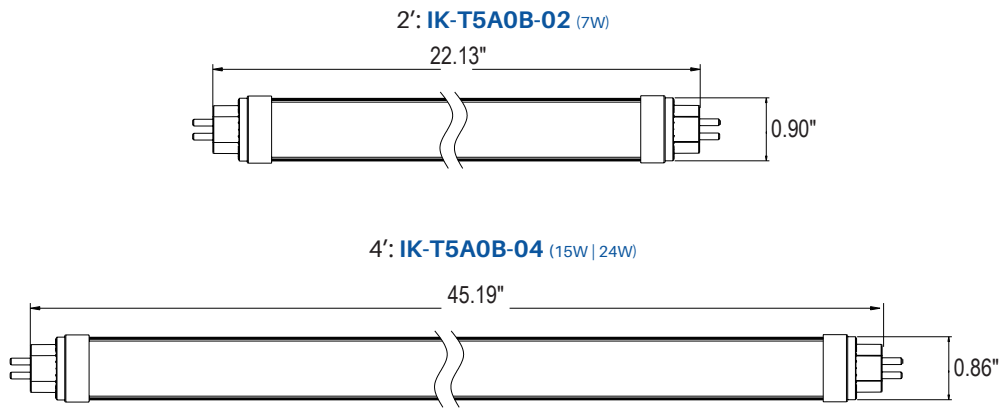


Product Specifications

PART NUMBER	SIZE	POWER	VOLTAGE	LUMEN OUTPUT	EFFICACY	CRI	DIFFUSER	CCT	CURRENT	THD	LIGHT DISTRIBUTION
	ft	W	V	lm	lm/W			K	A		
K-T5A0B-02-F0007-MV-D-40K-UD-00-WH-BFU-SF	2	7	100V-277V	1120	165	83	Frosted	4000	0.03	22.8%	Type I
IK-T5A0B-02-F0007-MV-D-40K-UD-00-WH-BFU-SC	2	7	100V-277V	1120	165	83	Clear	4000	0.03	22.8%	Type I
IK-T5A0B-04-F0015-MV-D-40K-UD-00-WH-BFU-SF	4	15	100V-277V	2520	165	83	Frosted	4000	0.06	22.8%	Type I
IK-T5A0B-04-F0015-MV-D-40K-UD-00-WH-BFU-SC	4	15	100V-277V	2520	165	83	Clear	4000	0.06	22.8%	Type I
IK-T5A0B-04-F0024-MV-D-40K-UD-00-WH-BFU-SF	4	24	100V-277V	3146	165	83	Frosted	4000	0.10	22.8%	Type I
IK-T5A0B-04-F0024-MV-D-40K-UD-00-WH-BFU-SC	4	24	100V-277V	3146	165	83	Clear	4000	0.10	22.8%	Type I

Note: Custom manufacturing options in CCT, wattage, voltage, light distribution, finish, and more are available upon request, subject to MOQ and lead time considerations.

Dimensions



Product Ordering Information

Typical order example: IK-T5A0B-02-F0007-MV-D-40K-UD-00-WH-BFU-SF

LUMINAIRE FAMILY			ELECTRICAL / LIGHTING PERFORMANCE						CONSTRUCTION			
IK	T5A0B			MV	D	40K	UD	00	WH	BFU		
BRAND	FAMILY/VERSION	VARIANT	POWER (W)	VOLTAGE (V)	DIMMING	CCT (K)	DISTRIBUTION	DRIVER	FINISH	MANUFACTURER	DIFFUSER	
IK IKIO	T5A0B T5 PC+ALUMINUM TUBE TYPE B	02 2'	F0007 7W	MV 100V-277V	D DIMMABLE	40K 4000K	UD TYPE I	00	WH WHITE	BFU BRIGHT FUTURE USA, INC	SF FROSTED	
		04 4'	F0015 15W								SC CLEAR	
			F0024 24W									

Note: Please ensure compatibility with this specific fixture size when selecting this option.